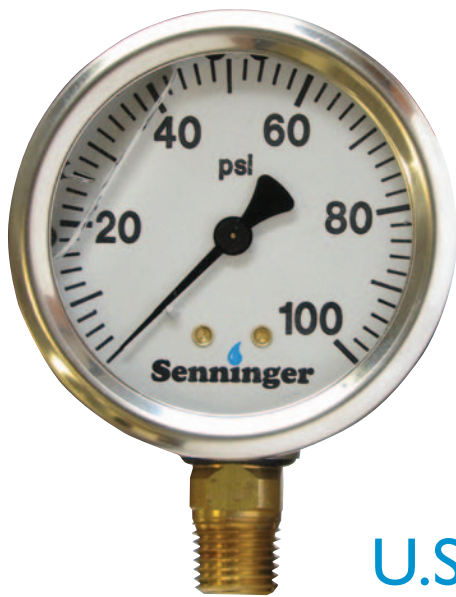


# Gauges

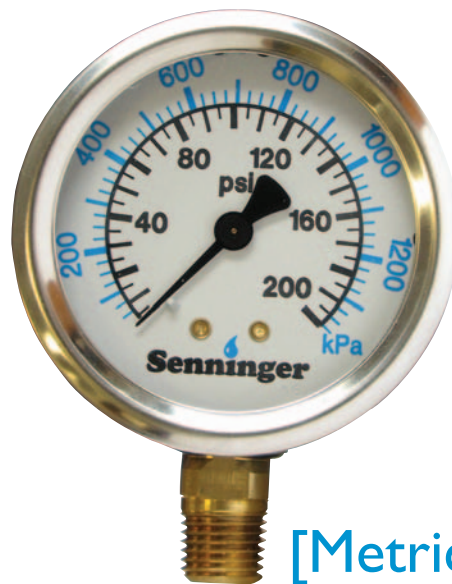
From Senninger Irrigation!

## 2.5" Bourdon Tube Pressure Gauge

Accurately  
Monitors  
System Pressure



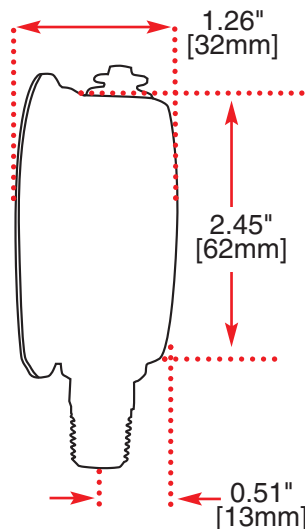
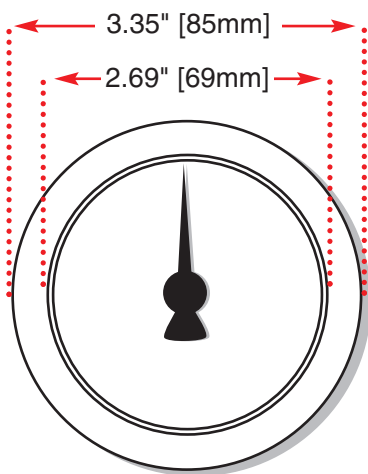
U.S.



[Metric]

### FEATURES:

- Stainless steel case
- Vibration and shock resistant
- Size: 2.5" [63 mm]
- GA 03-2 PK 0-30 psi  
GA 06-2 PK 0-60 psi  
GA 10-2 PK 0-100 psi  
GA 10-2 PK 0-700 kPa  
GA 20-2 PK 0-1400 kPa
- 1/4" NPT male connection
- Accuracy: +/- 2.5% of span
- Standards: ASME B40, 100 Grade A
- Ambient Temperature: -4°F to +140°F [-20°C to +60°C]



### MATERIALS:

**Dial:** White ABS with black lettering

**Case:** 304 stainless steel with vent plug and stainless steel crimp ring.

Case connection sealed with EPDM O-ring

**Lens:** Polycarbonate with Buna-N gasket

**Fill Fluid:** Glycerine

**Senninger®**  
Irrigation Inc.

- Call (407) 877-5655
- Fax: (407) 905-8249 • Int'l Fax: (407) 905-8239
- Web: [www.senninger.com](http://www.senninger.com) • E-Mail: [info@senninger.com](mailto:info@senninger.com)

# Gauges

From Senninger Irrigation!

## 3.5" Bourdon Tube - Liquid filled Industrial Gauge

Accurately  
Monitors  
System  
Pressure

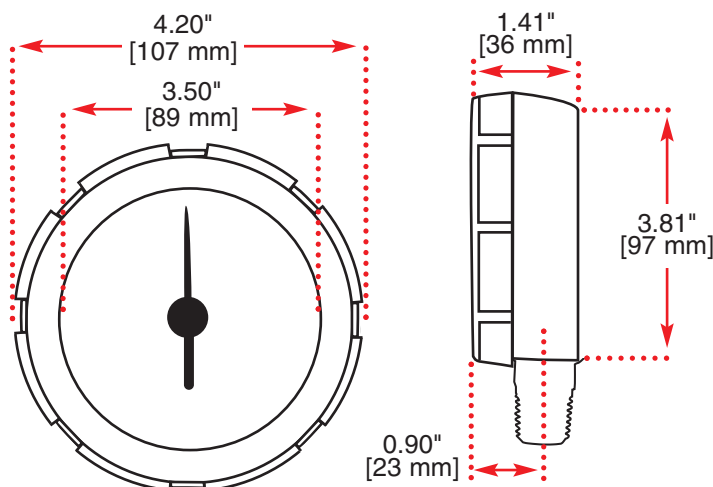


### FEATURES:

- No air bubble
- Vibration and shock resistant
- Size: 3.5" [89 mm]
- GA 03      0-30 psi  
GA 06      0-60 psi  
GA 10      0-100 psi
- 1/4" NPT male connection
- Accuracy: 1% of Scale
- Standards: ANSI/ASME B40
- Ambient Temperature:  
-40°F to +150°F [-40°C to +66°C]

### MATERIALS:

- Dial:** White with black lettering
- Case:** Zytel nylon, with 1/2" blow out plug, corrosion resistant, impact resistant
- Lens:** Acrylic
- Fill Fluid:** Glycerine



**Senninger**  
Irrigation Inc.

- Call (407) 877-5655
- Fax: (407) 905-8249
- Int'l Fax: (407) 905-8239
- Web: [www.senninger.com](http://www.senninger.com)
- E-Mail: [info@senninger.com](mailto:info@senninger.com)