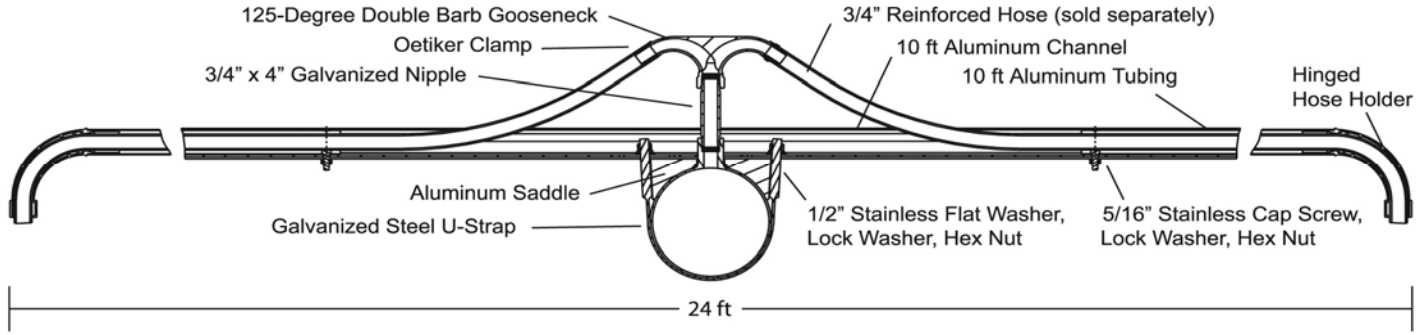


Pivot Boom Systems Components



Complete Pivot Boom Assembly includes ALUMINUM CHANNEL & TUBING KIT* plus ONE HARDWARE KIT**
 (3/4" reinforced hose sold separately)

*Aluminum Channel & Tubing Kit

MODEL NUMBER	DESCRIPTION	VOL. [FT ³]	UNIT WT
PBS104	Aluminum Channel & Tubing Kit	0.63	18#

Aluminum Channel & Tubing Kit includes: (1) 10 ft Channel, aluminum; (2) 10 ft x 1.5" Tubing, aluminum

**Hardware Kits

PBS501	Pivot Boom Hardware for 4" pipe	0.5	4#
PBS502	Pivot Boom Hardware for 5" pipe	0.5	4#
PBS503	Pivot Boom Hardware for 5-9/16" pipe	0.5	4#
PBS504	Pivot Boom Hardware for 6" pipe	0.5	4.25#
PBS505	Pivot Boom Hardware for 6-5/8" pipe	0.5	4.5#
PBS506	Pivot Boom Hardware for 8" pipe	0.5	5#
PBS507	Pivot Boom Hardware for 8-5/8" pipe	0.5	5.5#

Pivot Boom Hardware Kit includes:

- | | |
|---|---|
| (1) Pipe Saddle, aluminum | (2) 1/2" Flat Washer, stainless steel |
| (1) U-Strap, galvanized steel | (2) 1/2" Lock Washer, stainless steel |
| (1) 3/4" x 4" Nipple, galvanized | (2) 1/2" Hex Nut, stainless steel |
| (1) 125-Degree Double Barb Gooseneck, thermoplastic | (2) 1/8" Alignment Drive Pin, stainless steel |
| (2) 5/16" x 1" Hex head Cap Screw, stainless steel | (2) Oetiker Hose Clamp |
| (2) 5/16" Lock Washer, stainless steel | (2) 90-Degree Hinged Hose Holder, thermoplastic |
| (2) 5/16" Hex Nut, stainless steel | |

Replacement Parts

PBS002	10 ft Channel, aluminum	0.3	10#
PBS014	10 ft x 1.5" Tubing, aluminum	0.3	4#
PBS081	90-Degree Hinged Hose Holder, thermoplastic	1.45	10# bx of 60

Contact Senninger dealer for pricing