

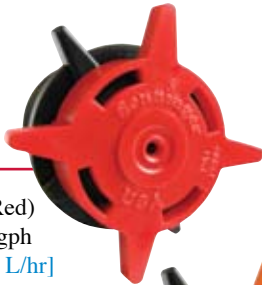
NEW!

Upright Mister™

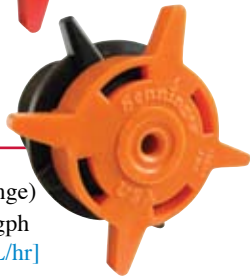
U.S. Patent #7152816

Designed for propagation or low volume misting applications!

The patented Senninger Mister covers large areas with outstanding uniformity ideal for short-cycle applications.



MR 08 (Red)
6.8 - 8.6 gph
[25.7 - 32.6 L/hr]



MR 12 (Orange)
10.8 - 14.0 gph
[40.9 - 53.0 L/hr]



MR 16 (Yellow)
14.1 - 18.3 gph
[53.4 - 69.3 L/hr]



MR 20 (Green)
17.8 - 23.4 gph
[67.4 - 88.6 L/hr]

Flows above shown at 30-50 psi [2 to 3.5 bar]. Variance based on pressure.



Features

- Outstanding uniformity
- Bridge-less design for uninterrupted 360° pattern
- Easy to clean nozzle and optional check valve, quick twist tool-free disassembly
- Multiple connection options to retrofit existing systems
- Color-coded nozzles
- Engineering-grade UV-resistant thermoplastic construction

(Minimum operating pressure 30 psi or 2 bar)

(Recommended filtration 150 mesh)

Connections:



1/2" M NPT



3/8" M BSW-
1/4" Press



1/4" M Press fit

Nursery Wire Adapter (Also Available)

Provides easy installation for Misters to mount on 1/2" or 3/4" PVC risers and lock into the corner of wire mesh bed. Barb fits 0.345" ID tubing. Fits up to 10-gauge wire, minimum 1" mesh.

Upright Recommended Spacing- at 12 in. above crop

Pressure	30 - 50 psi	2 - 3.5 bar
Red - MR 08	6.8 - 8.6 gph	25.7 - 32.6 L/hr
Head Spacing	2 - 4 ft.	0.61 - 1.22 m
Lateral Spacing	2 - 4 ft.	0.61 - 1.22 m
Single Row Spacing	2 - 3.5 ft.	0.61 - 1.07 m
Orange - MR 12	10.8 - 14.0 gph	40.9 - 53.0 L/hr
Head Spacing	2 - 4 ft.	0.61 - 1.22 m
Lateral Spacing	2 - 4 ft.	0.61 - 1.22 m
Single Row Spacing	2 - 3 ft.	0.61 - 0.92 m
Yellow - MR 16	14.1 - 18.3 gph	53.4 - 69.3 L/hr
Head Spacing	2 - 4 ft.	0.61 - 1.22 m
Lateral Spacing	2 - 4 ft.	0.61 - 1.22 m
Single Row Spacing	2 - 3 ft.	0.61 - 0.92 m
Green - MR 20	17.8 - 23.4 gph	67.4 - 88.6 L/hr
Head Spacing	2 - 4 ft.	0.61 - 1.22 m
Lateral Spacing	2 - 4 ft.	0.61 - 1.22 m
Single Row Spacing	2 - 3 ft.	0.61 - 0.92 m

Other spacing options may produce higher uniformities and lower scheduling coefficients.

Check valve option available with different spacing recommendations. Consult factory for details.

NEW!

Senninger Irrigation Inc.

Inverted Mister™

U.S. Patent #7152816

Designed for propagation or low volume misting applications!

The patented Senninger Mister's innovative built-in check valve design prevents damage to plant material below due to drainage immediately following each irrigation session. It also helps to assure water conservation and consistent system start-up delivering an instantaneous, highly uniform distribution ideal for short-cycle applications.

MRI 08 (Light Blue)
7.5 - 9.7 gph
[28.4 - 36.7 L/hr]



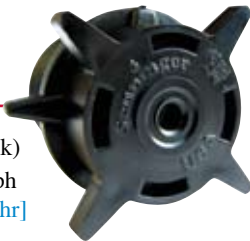
MRI 12 (Blue)
12.5 - 16.2 gph
[47.3 - 61.3 L/hr]



MRI 16 (Purple)
15.9 - 20.5 gph
[60.2 - 77.6 L/hr]



MRI 20 (Black)
17.8 - 23.4 gph
[67.4 - 88.6 L/hr]



Flows above shown at 30-50 psi [2 to 3.5 bar]. Variance based on pressure.



Features

- Outstanding uniformity
- Bridge-less design for uninterrupted 360° pattern
- Easy to clean nozzle and check valve, quick twist tool-free disassembly
- Multiple connection options to retrofit existing systems
- Color-coded nozzles
- Engineering-grade UV-resistant thermoplastic construction
- Built in check valve

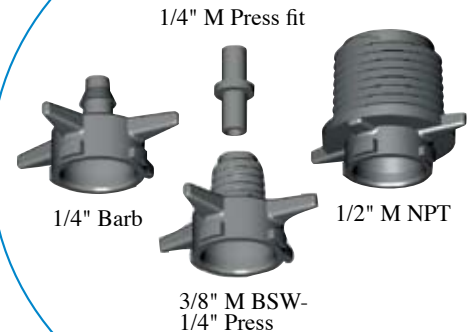
(Minimum operating pressure 30 psi or 2 bar)

(Recommended filtration 150 mesh)

Drop Assembly (Also Available)

Overall lengths of 3, 4, or 6 ft [0.92, 1.22, or 1.83 m]
Components include: 1/4" barb x barb connector; 1/4" tubing; Slip-over weight; Mister

Connections:



Inverted Recommended Spacing- at 24 in. above crop

Pressure	30 - 50 psi	2 - 3.5 bar
Light Blue - MRI 08	7.5 - 9.7 gph	28.4 - 36.7 L/hr
Head Spacing	2 - 4 ft.	0.61 - 1.22 m
Lateral Spacing	2.5 - 3.5 ft.	0.76 - 1.07 m
Single Row Spacing	N/A	N/A
Blue - MRI 12	12.5 - 16.2 gph	47.3 - 61.3 L/hr
Head Spacing	2 - 3.5 ft.	0.61 - 1.07 m
Lateral Spacing	2 - 3.5 ft.	0.61 - 1.07 m
Single Row Spacing	N/A	N/A
Purple - MRI 16	15.9 - 20.5 gph	60.2 - 77.6 L/hr
Head Spacing	2 - 3 ft.	0.61 - 0.92 m
Lateral Spacing	2 - 2.5 ft.	0.61 - 0.76 m
Single Row Spacing	2 - 2.5 ft.	0.61 - 0.76 m
Black - MRI 20	17.8 - 23.4 gph	67.4 - 88.6 L/hr
Head Spacing	2 - 2.5 ft.	0.61 - 0.76 m
Lateral Spacing	2 - 3 ft.	0.61 - 0.92 m
Single Row Spacing	2 - 2.5 ft.	0.61 - 0.76 m

Other spacing options may produce higher uniformities and lower scheduling coefficients. Consult factory for details.