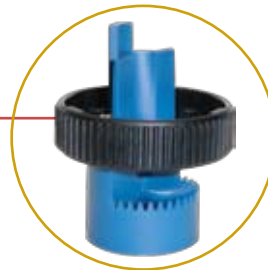


Part-Circle LDN

The heavy-duty low-drift nozzle with a directional pattern

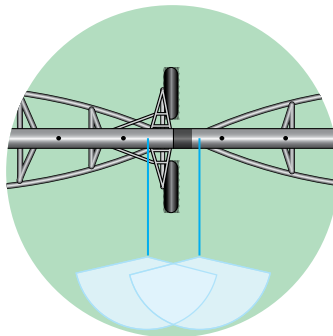
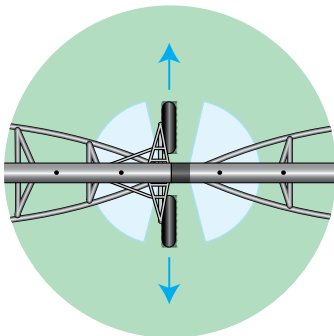
The new Part-Circle LDN is specially designed to help center pivot operators manage the difficult-to-irrigate areas near towers. The Part-Circle LDN distributes water away from wheel tracks and minimizes rutting. Part-Circle LDNs can be used in conjunction with standard full circle LDNs or other Senninger sprinklers on the remainder of the machine.



Part-Circle LDN Pad

Features

- Distributes water in a 170-degree pattern
- Binds water into 17 discreet streams for minimum evaporative loss
- Maximum radius of throw
- 10-degree trajectory
- Fits on standard LDN base, nozzle and cage
- Available for nozzle sizes 6-18



The Part-Circle LDN distributes water away from wheel tracks. (For use on rigid drops.)



LDN - Part-Circle performance data

| Sprinkler Base Press. [psi] | 6 | 10 | 15 | Sprinkler Base Press. [bar] | 0.41 | 0.69 | 1.03 |
|---------------------------------------|------|------|------|--|------|------|------|
| #6 Nozzle - Gold [3/32"] | | | | #6 Nozzle - Gold [2.38mm] | | | |
| Flow [gpm] | 0.64 | 0.82 | 0.98 | Flow [L/hr] | 145 | 186 | 223 |
| Radius at 1.5' ht. [ft] | 7.0 | 9.5 | 12.5 | Radius at 0.46m ht. [m] | 2.1 | 2.9 | 3.8 |
| Radius at 3' ht. [ft] | 8.5 | 11.0 | 14.0 | Radius at 0.91m ht. [m] | 2.6 | 3.4 | 4.3 |
| Radius at 6' ht. [ft] | 10.5 | 13.0 | 15.5 | Radius at 1.83m ht. [m] | 3.2 | 4.0 | 4.7 |
| Radius at 9' ht. [ft] | 12.0 | 15.0 | 17.0 | Radius at 2.75m ht. [m] | 3.7 | 4.6 | 5.2 |
| #8 Nozzle - Lavender [1/8"] | | | | #8 Nozzle - Lavender [3.18mm] | | | |
| Flow [gpm] | 1.12 | 1.45 | 1.73 | Flow [L/hr] | 254 | 329 | 393 |
| Radius at 1.5' ht. [ft] | 9.5 | 12.0 | 15.0 | Radius at 0.46m ht. [m] | 2.9 | 3.7 | 4.6 |
| Radius at 3' ht. [ft] | 11.0 | 14.0 | 18.0 | Radius at 0.91m ht. [m] | 3.4 | 4.3 | 5.5 |
| Radius at 6' ht. [ft] | 13.0 | 16.5 | 20.0 | Radius at 1.83m ht. [m] | 4.0 | 5.0 | 6.1 |
| Radius at 9' ht. [ft] | 14.0 | 19.0 | 22.0 | Radius at 2.75m ht. [m] | 4.3 | 5.8 | 6.7 |
| #10 Nozzle - Turquoise [5/32"] | | | | #10 Nozzle - Turquoise [3.97mm] | | | |
| Flow [gpm] | 1.74 | 2.25 | 2.96 | Flow [L/hr] | 395 | 511 | 672 |
| Radius at 1.5' ht. [ft] | 10.5 | 14.0 | 17.0 | Radius at 0.46m ht. [m] | 3.2 | 4.3 | 5.2 |
| Radius at 3' ht. [ft] | 13.0 | 15.5 | 19.5 | Radius at 0.91m ht. [m] | 4.0 | 4.7 | 5.9 |
| Radius at 6' ht. [ft] | 14.5 | 18.0 | 22.0 | Radius at 1.83m ht. [m] | 4.4 | 5.5 | 6.7 |
| Radius at 9' ht. [ft] | 16.0 | 21.0 | 24.0 | Radius at 2.75m ht. [m] | 4.9 | 6.4 | 7.3 |
| #12 Nozzle - Red [3/16"] | | | | #12 Nozzle - Red [4.76mm] | | | |
| Flow [gpm] | 2.45 | 3.16 | 3.81 | Flow [L/hr] | 556 | 718 | 865 |
| Radius at 1.5' ht. [ft] | 11.0 | 14.5 | 18.5 | Radius at 0.46m ht. [m] | 3.4 | 4.4 | 5.6 |
| Radius at 3' ht. [ft] | 13.5 | 16.5 | 21.0 | Radius at 0.91m ht. [m] | 4.1 | 5.0 | 6.4 |
| Radius at 6' ht. [ft] | 15.5 | 19.0 | 23.5 | Radius at 1.83m ht. [m] | 4.7 | 5.8 | 7.2 |
| Radius at 9' ht. [ft] | 17.0 | 22.0 | 26.0 | Radius at 2.75m ht. [m] | 5.2 | 6.7 | 7.9 |
| #14 Nozzle - Blue [7/32"] | | | | #14 Nozzle - Blue [5.56mm] | | | |
| Flow [gpm] | 3.40 | 4.39 | 5.24 | Flow [L/hr] | 772 | 997 | 1190 |
| Radius at 1.5' ht. [ft] | 11.5 | 15.0 | 19.0 | Radius at 0.46m ht. [m] | 3.5 | 4.6 | 5.8 |
| Radius at 3' ht. [ft] | 14.0 | 17.0 | 22.5 | Radius at 0.91m ht. [m] | 4.3 | 5.2 | 6.9 |
| Radius at 6' ht. [ft] | 16.0 | 20.0 | 25.5 | Radius at 1.83m ht. [m] | 4.9 | 6.1 | 7.8 |
| Radius at 9' ht. [ft] | 18.0 | 23.0 | 28.5 | Radius at 2.75m ht. [m] | 5.5 | 7.0 | 8.7 |
| #16 Nozzle - Orange [1/4"] | | | | #16 Nozzle - Orange [6.35mm] | | | |
| Flow [gpm] | 4.48 | 5.79 | 6.91 | Flow [L/hr] | 1018 | 1315 | 1569 |
| Radius at 1.5' ht. [ft] | 12.0 | 15.5 | 19.5 | Radius at 0.46m ht. [m] | 3.7 | 4.7 | 5.9 |
| Radius at 3' ht. [ft] | 14.5 | 17.5 | 23.5 | Radius at 0.91m ht. [m] | 4.4 | 5.3 | 7.2 |
| Radius at 6' ht. [ft] | 16.5 | 21.0 | 26.5 | Radius at 1.83m ht. [m] | 5.0 | 6.4 | 8.1 |
| Radius at 9' ht. [ft] | 18.5 | 24.0 | 29.5 | Radius at 2.75m ht. [m] | 5.6 | 7.3 | 9.0 |
| #18 Nozzle - Purple [9/32"] | | | | #18 Nozzle - Purple [7.14mm] | | | |
| Flow [gpm] | 5.62 | 7.25 | 8.65 | Flow [L/hr] | 1276 | 1647 | 1965 |
| Radius at 1.5' ht. [ft] | 12.5 | 16.0 | 20.0 | Radius at 0.46m ht. [m] | 3.8 | 4.9 | 6.1 |
| Radius at 3' ht. [ft] | 15.0 | 18.0 | 24.5 | Radius at 0.91m ht. [m] | 4.6 | 5.5 | 7.5 |
| Radius at 6' ht. [ft] | 17.0 | 21.5 | 27.5 | Radius at 1.83m ht. [m] | 5.2 | 6.6 | 8.4 |
| Radius at 9' ht. [ft] | 19.0 | 25.0 | 30.5 | Radius at 2.75m ht. [m] | 5.8 | 7.6 | 9.3 |

Sprinkler performance may vary with actual field conditions. Other nozzle sizes available. Consult factory for specific performance data.